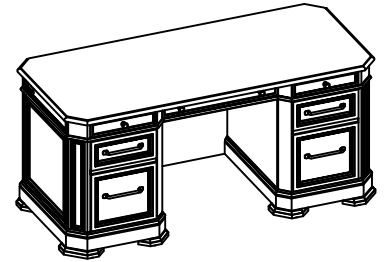


**Warning :**

- Be sure to check all packing material carefully for small parts, which may have come loose inside the carton during shipment.
- To prevent possible scratches and damage, this furniture must be assembled on a soft surface such as a blanket or carpet.

**Important Use Information:** We recommend using coasters, placemats and trivets when placing hot or cold containers on this item. It is also recommended to quickly cleanup any spills to minimize exposure to moisture. Doing so will prolong the life and look of the item for many years.

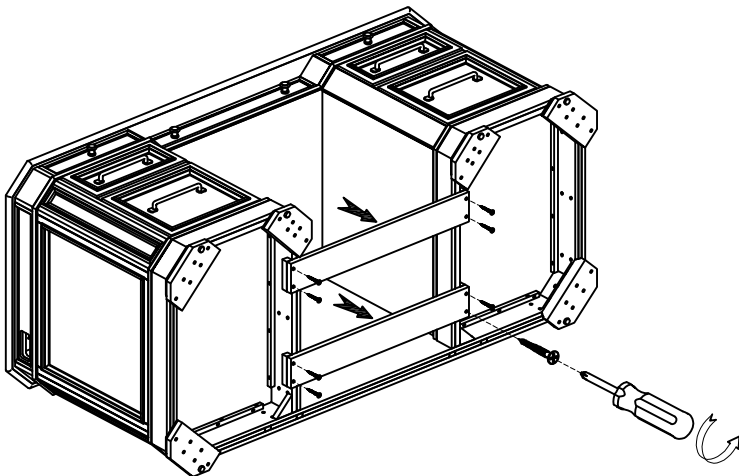


32731  
Executive Desk

**Components and Hardware List**

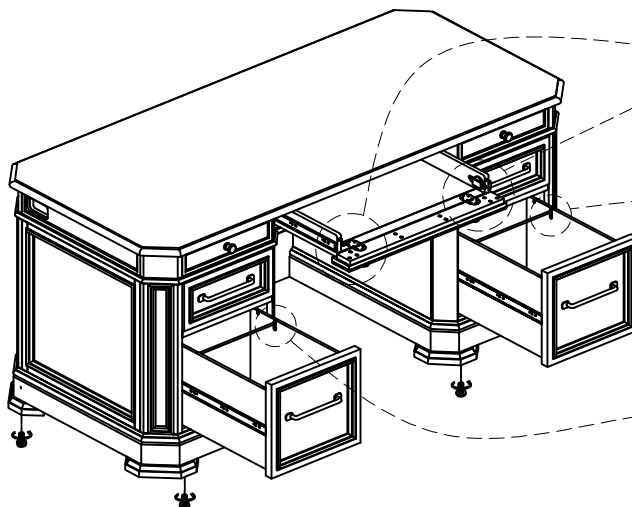
Step 1: Remove shipping brace by removing screws as shown. Discard shipping brace

Tool Required  
(Not provided)  
Phillips Screwdriver

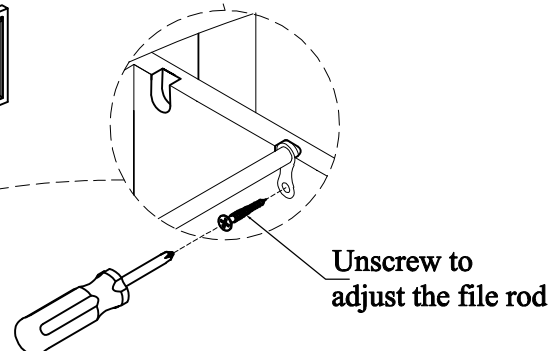


<p><b>⚠ WARNING</b> Pinch Point. Keep fingers from underneath drawer front when releasing.</p>	
--	--

Step 2:



Adjustable leveler



Unscrew to adjust the file rod

The file drawers can be set up to use either letter or legal size hanging file folders using the file rods installed in the file drawers.